

# Center Console

EXTERIOR/INTERIOR TRIM

## 20.Center Console

### A: REMOVAL

1) Disconnect the ground cable from battery. <Ref. to NT-5, BATTERY, NOTE, Note.>

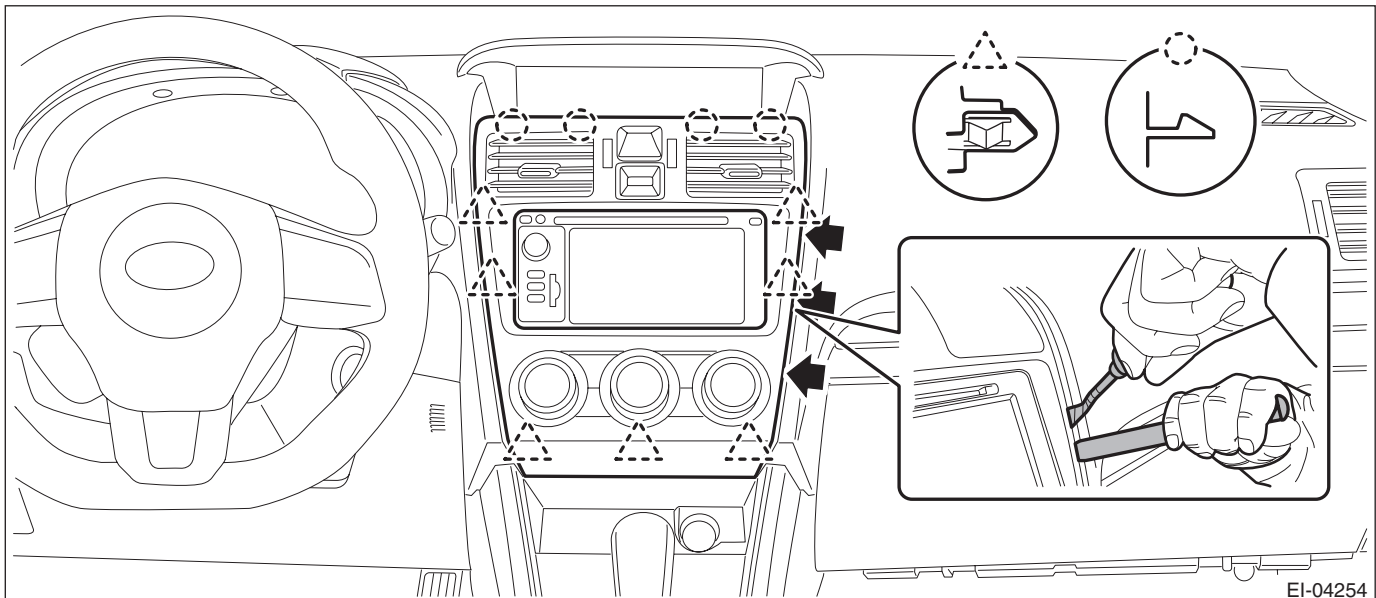
NOTE:

For models other than STI model, disconnect the ground terminal from battery sensor.

2) Remove the panel center assembly.

**CAUTION:**

- **Do not put your finger on the fin of the air vent grille. Doing so may damage the fin.**
- **Pull the panel center assembly slowly. Pulling with excessive force may damage the connector.**
  - (1) Insert a plastic remover to the three areas shown by the arrows, and slightly lift up the panel center assembly.
  - (2) With the panel center assembly lifted up slightly, release the claw by using a clip remover wrapped with protective tape.
  - (3) Release the rest of the claws, and pull out the panel center assembly.



(4) Disconnect the connectors, and remove the panel center assembly.

1. Disconnect the connector of the switch - hazard switch.

2. Disconnect the connector of heater control assembly.

3. Push out the switch - MFD from the back side of panel center assembly, and disconnect the connector.

### B: INSTALLATION

**CAUTION:**

**After installing the panel center assembly, check that the air vent grille of the panel center assembly is inserted correctly into the air vent duct.**

1) Install the panel center assembly.

(1) Install the switch - MFD to the panel center assembly.

(2) Connect the connector of the switch - hazard switch.

(3) Connect the connector of the switch - MFD.

(4) Connect the heater control assembly.

2) Connect the battery ground terminal. <Ref. to NT-5, BATTERY, NOTE, Note.>

NOTE:

For models other than STI model, connect the ground terminal to battery sensor.